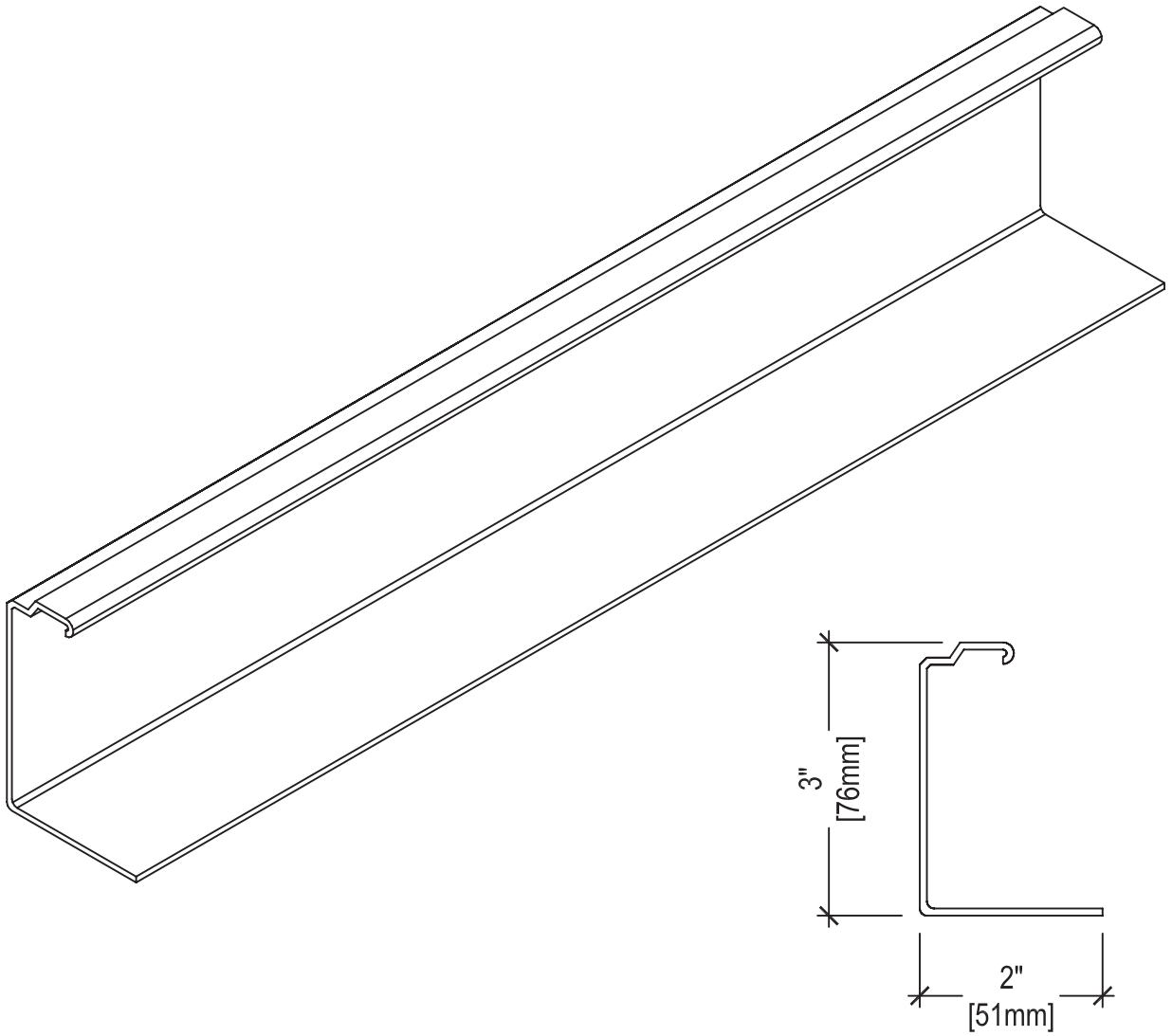


6.1- Unit Specifications

12- PVC window trim



SPECIFICATIONS

Length: 96" (2438mm)

Weight: 2.0 lbs (0.9Kg)

Material: White PVC