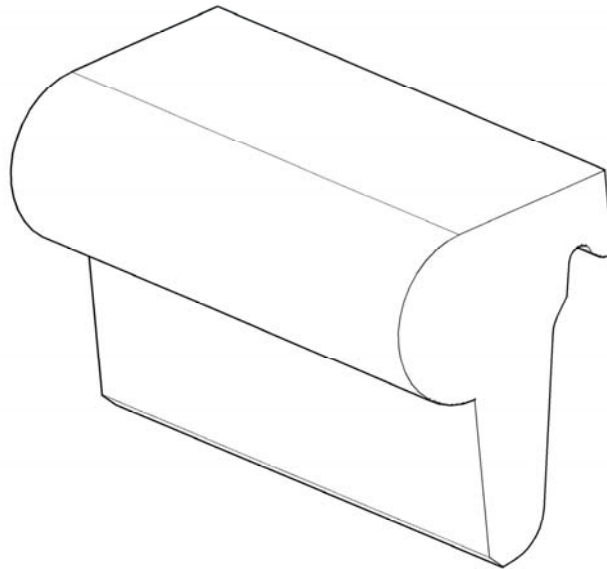
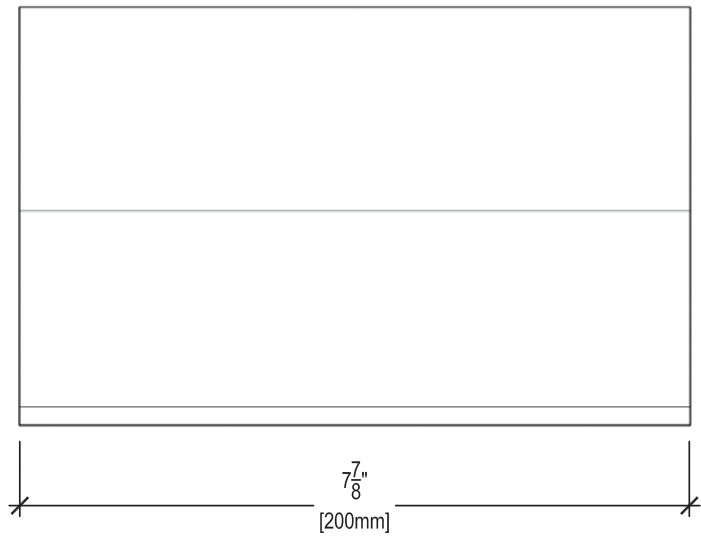
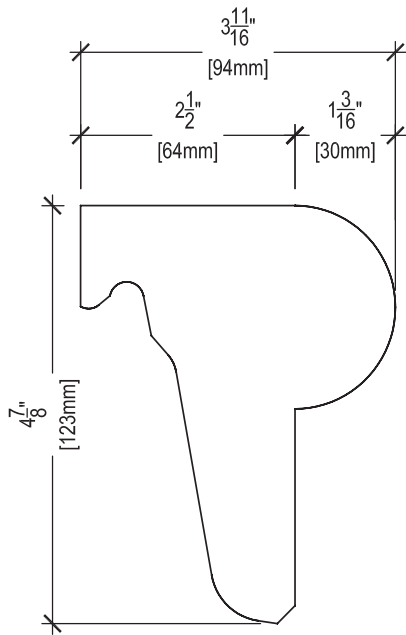


6.1- UNIT SPECIFICATIONS

11- BULLNOSE



SPECIFICATIONS

FACE LENGTH: 7 7/8" (200MM)

FACE HEIGHT: 4 7/8" (123MM)

WEIGHT: 5.9 LBS / BRICK OR 8.85 LBS / LN.FT.
 2.7 KG / BRICK OR 13.5 KG / LN.M

COVERAGE: 1.5 BRICKS / LN. FT. (5 BRICKS / LN.M)

MATERIAL: CONCRETE

COMPRESSIVE STRENGTH: 3600 PSI (25 MPA)

MAXIMUM WATER ABSORPTION: 4 TO 5%