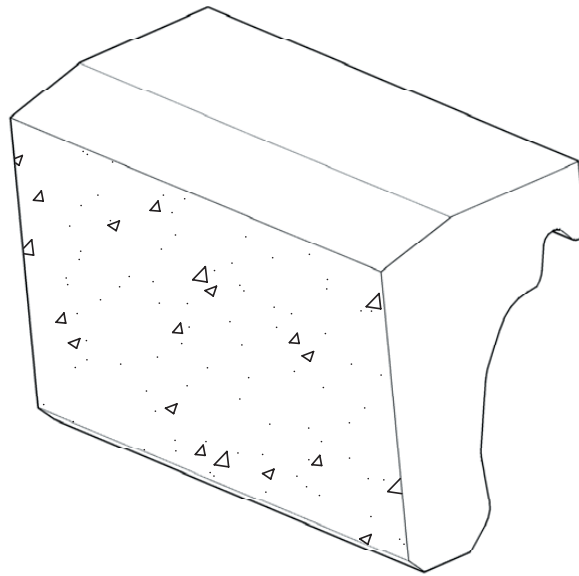
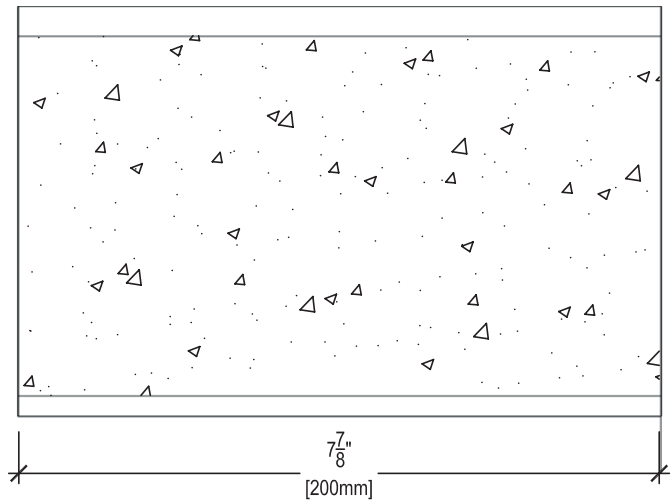
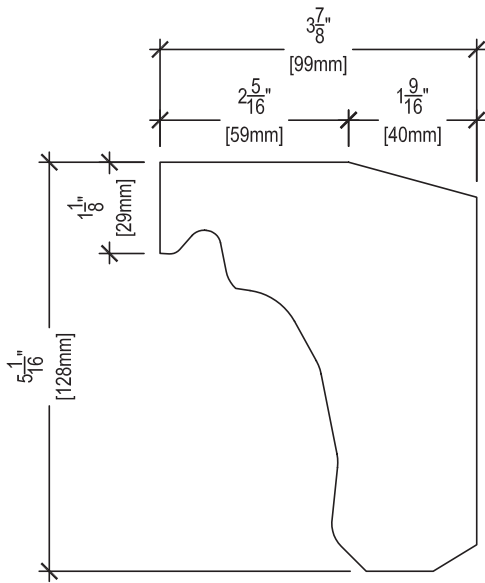


## 6.1- UNIT SPECIFICATIONS

### 7A- WAINSCOT CAP - SPLIT FACE




---

#### SPECIFICATIONS

---

FACE LENGTH: 7 7/8" (200MM)

FACE HEIGHT: 5 1/16" (128MM)

WEIGHT: 7.9 LBS / BRICK    OR    11.8 LBS / LN.FT.  
                  3.6 KG / BRICK    OR    18.0 KG / LN.M

COVERAGE: 1.5 BRICKS / LN. FT. (5 BRICKS / LN.M)

MATERIAL: CONCRETE

COMPRESSIVE STRENGTH: 3600 PSI (25 MPa)

MAXIMUM WATER ABSORPTION: 4 TO 5%