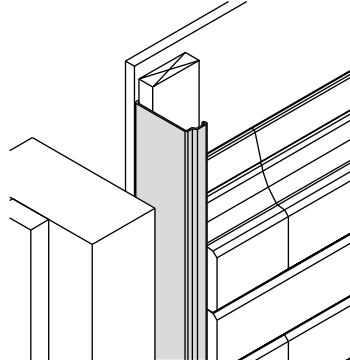
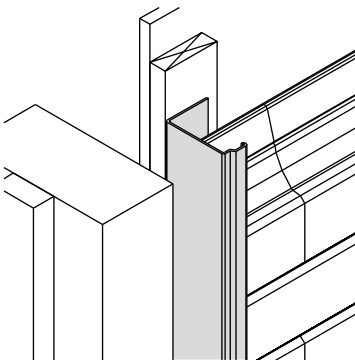
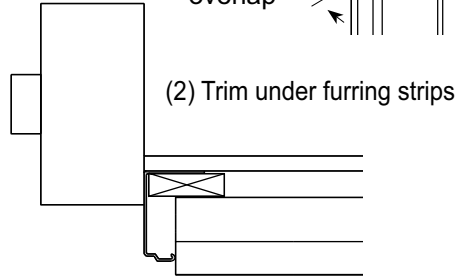
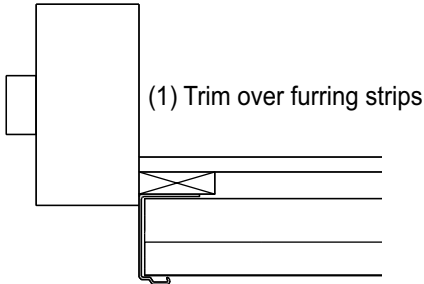
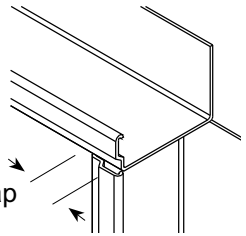
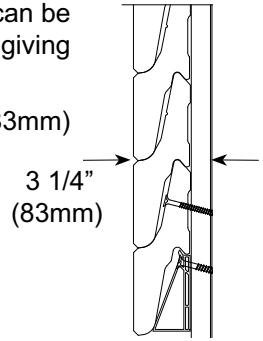


Window Trim (check for availability.)

Window trim is used to extend the window frame out. It can be installed in two ways. Covering the edge of the bricks or giving Novabrik an edge to butt up to.

Note that the furring strip and Novabrik will add 3 1/4" (83mm) to the face of your wall.

- Cut the trim pieces to the proper length of the sides and top of windows (make sure the top piece overlaps the sides), extend the side trim down past the top of the sill and butt the sill to the trim.
- Install the trim over the furring strips if you want the trim to cover the bricks (1), or install the header and furring strips over the back of the trim if you want the bricks to butt up to it (2).



- Fasten the trim in place using small galvanized nails.
- Once the job is complete, apply caulking between the trim and the window frame, and in the second case also between the trim and the edge of Novabrik.