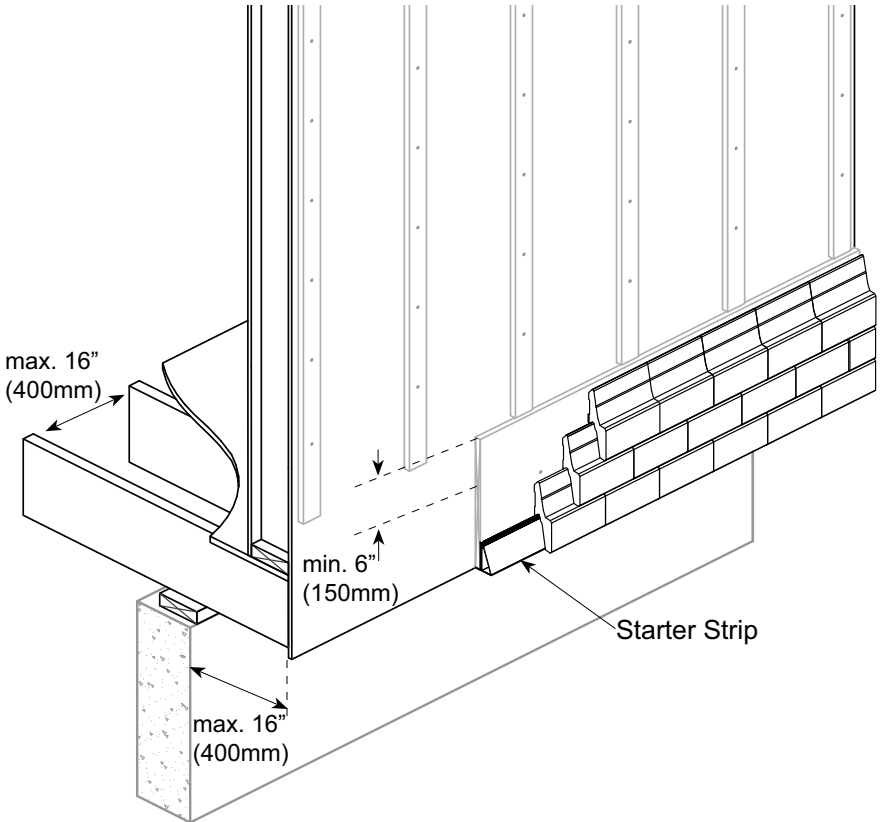


Overhang Section

Limit Novabrik installation to one story on overhanging sections and extending maximum 16" (400mm) with floor joist spacing 16" (400mm) on center maximum.



- Install $\frac{3}{4}$ " (19mm) plywood as baseboard, extend plywood minimum 6" (150mm) above floor.
- Make sure to fasten top of baseboard to both the sill plate and studs.
- Fasten each Novabrik on the first course with two screws.
- Fasten each Novabrik at top of baseboard with two screws.
- Continue installation in the usual manner.

Note: If the overhang is longer than 16" (400mm) or if the wall is higher than one story, consult a structural engineer.