

# Header Reinforcement Above Openings

Doors and windows need extra framing to support the brick above. In the case of new construction, your consultant can ensure the lintel is designed so that no extra reinforcement is necessary. Remember that Novabrik weighs about 27 lb/sq. ft. (132 kg/sq. m).

Header reinforcement is required for remodelling work since the lintel has not been previously designed to support the extra weight of Novabrik. Use the header chart to size each window and door header. Make sure the header extends 6" (150mm) past the opening on each side.

Fasten the plywood header to the studs and existing framing header with 2 rows of #8 or #10 screws at 10" (250mm) c/c. Make sure to cover the reinforcing header with flashing or a piece of housewrap, overlapped underneath the housewrap above. If you want to install a soldier course above the opening, you need a plywood reinforcing header 15" (380mm) high.

## Header Chart

Required Height of Plywood Lintel (in.)

| No. Rows of Novabrik Supported | Width of Opening (ft.) |     |     |     |     |     |     |     |
|--------------------------------|------------------------|-----|-----|-----|-----|-----|-----|-----|
|                                | 1                      | 2   | 3   | 4   | 5   | 6   | 7   | 8   |
| 1                              | 7"                     | 7"  | 7"  | 7"  | 7"  | 7"  | 8"  | 8"  |
| 2                              | 7"                     | 7"  | 7"  | 7"  | 8"  | 11" | 11" | 14" |
| 3                              | 7"                     | 7"  | 7"  | 7"  | 8"  | 11" | 11" | 14" |
| 4                              | 7"                     | 7"  | 7"  | 7"  | 11" | 11" | 14" | 14" |
| 5                              | 7"                     | 7"  | 7"  | 8"  | 11" | 14" | 14" | 16" |
| 6                              | 7"                     | 7"  | 7"  | 8"  | 11" | 14" | 14" | 16" |
| 7                              | 7"                     | 7"  | 7"  | 8"  | 11" | 14" | 16" | 16" |
| 8                              | 7"                     | 7"  | 7"  | 11" | 14" | 14" | 16" | 19" |
| 9                              | 7"                     | 7"  | 8"  | 11" | 14" | 16" | 16" | 19" |
| 10                             | 7"                     | 7"  | 8"  | 11" | 14" | 16" | 19" | 22" |
| 11                             | 7"                     | 7"  | 8"  | 11" | 14" | 16" | 19" | 22" |
| 15                             | 7"                     | 7"  | 11" | 14" | 16" | 19" | 22" | 24" |
| 19                             | 7"                     | 7"  | 11" | 14" | 19" | 22" | 24" | *   |
| 23                             | 7"                     | 8"  | 14" | 16" | 19" | 24" | *   | *   |
| 26                             | 7"                     | 8"  | 14" | 16" | 22" | 24" | *   | *   |
| 30                             | 7"                     | 11" | 14" | 19" | 22" | *   | *   | *   |
| 34                             | 7"                     | 11" | 14" | 19" | 24" | *   | *   | *   |
| 38                             | 7"                     | 11" | 16" | 19" | 24" | *   | *   | *   |
| 41                             | 7"                     | 11" | 16" | 22" | *   | *   | *   | *   |
| 45                             | 7"                     | 14" | 19" | 24" | *   | *   | *   | *   |

\* For such cases please consult an engineer

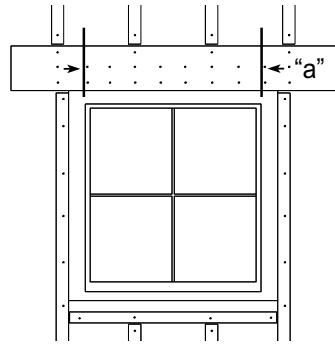
# Header Reinforcement Above Openings

Example:

Width of opening ("a"):  
6' (1.8m)

Rows of bricks above:  
11 (3 rows per 1' (305mm))

From the header chart:  
height of header: 16" (400mm)



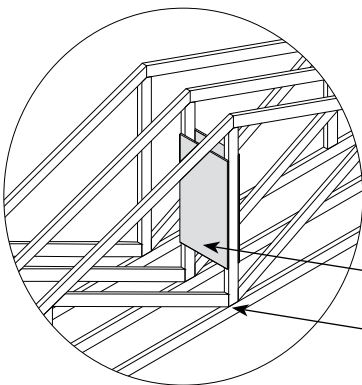
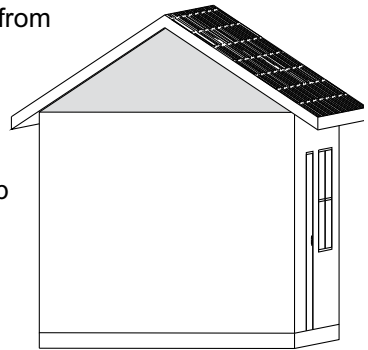
To install Novabrik over large openings or 'wide spans', extra structural review is essential. In some cases, steel may be required for extra reinforcement. In those situations use a steel plate, cut to the appropriate length, pre-drill and attach with screws. Always consult a structural engineer when designing the reinforcement.

## Gable Preparation

We refer to the triangular shaped part of a wall as a "roof gable". This section of the wall extends up and into the roof line, and needs extra support before adding Novabrik.

On smaller gables, less than 12' (3.7m) wide from corner to corner, no extra support is needed.

On larger gables, if there is no plywood or OSB on the existing framing, remove the existing sheathing and replace with plywood of the same thickness. Cover with housewrap and install furring strips over the framing.



On large gables, add bracing between the first and second truss in the attic space to prevent wall from racking.