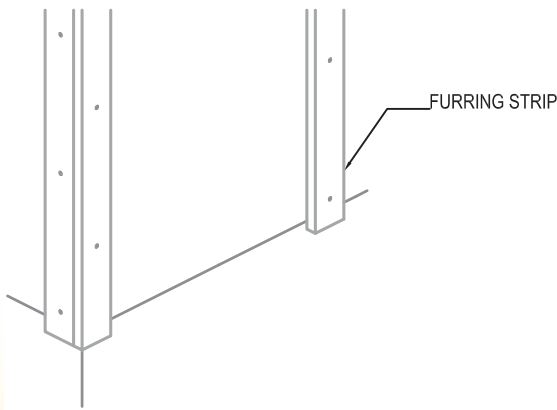
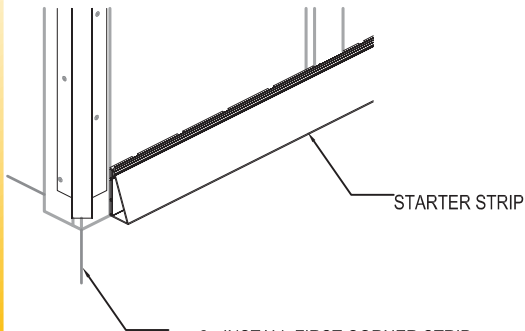


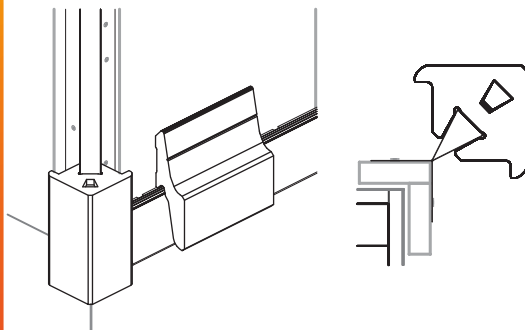
## 4.2- Novabrik Installation 1a- 90° Exterior corner block



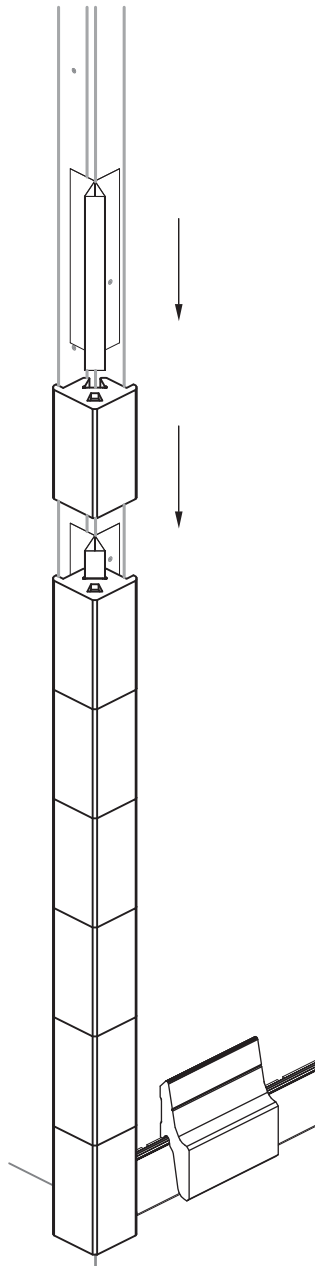
1 - INSTALL 1"X4" (19MM X 89MM) FURRING STRIP OVER THE CORNER CORRECT OUT OF PLUMB CORNERS AT THIS POINT.



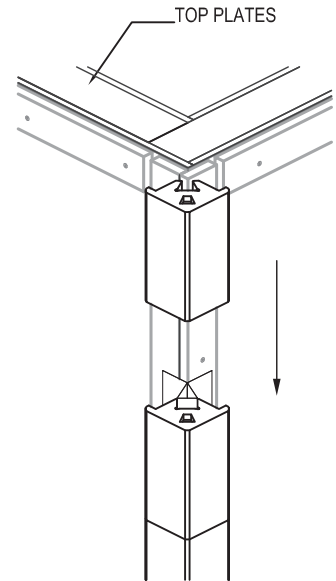
2 - INSTALL FIRST CORNER STRIP 2" (50MM) FROM THE BASE FASTENING WITH CORROSION RESISTANCE SCREWS @ 10" (250MM) C/C. FASTEN IN A STAGGERED PATTERN AS SHOWN.



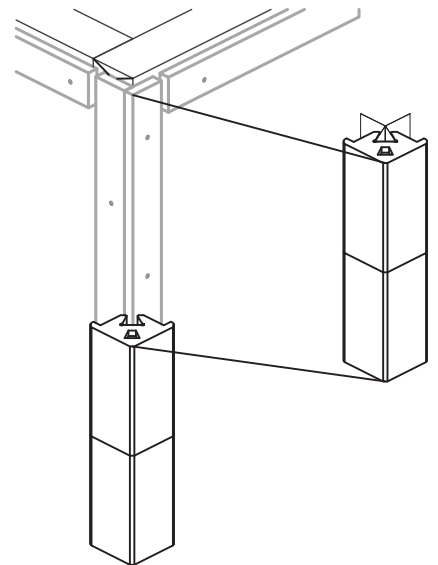
3 - SLIDE DOWN THE FIRST CORNER BLOCK AND ALIGN WITH THE FIRST COURSE OF NOVABRIK. FASTEN INTO CORNER STRIP WITH ONE SELF-TAPPING CORROSION RESISTANCE SCREWS.



4 - APPLY CONSTRUCTION ADHESIVE BETWEEN BLOCKS. INSTALL BLOCKS THE SAME WAY TO THE END OF THE FIRST CORNER STRIP, INSERT ANOTHER CORNER STRIP AND CONTINUE.

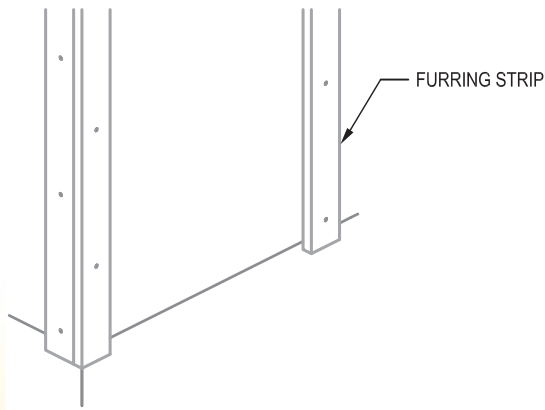


5 - INSTALL ONE LAST CORNER BLOCK AND MEASURE THE REMAINING HEIGHT.

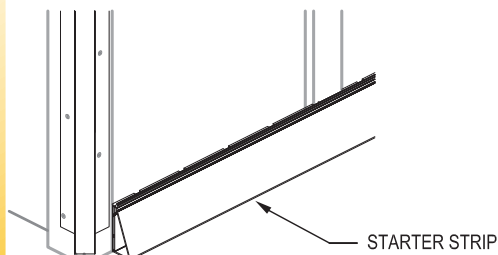


6 - CUT CORNER STRIP TO FIT. FASTEN THE NUMBER OF BLOCKS REQUIRED TO THE STRIP. CUT THE LAST BLOCK TO FIT AND SECURE WITH CONSTRUCTION ADHESIVE. FASTEN ASSEMBLY TO WALL.

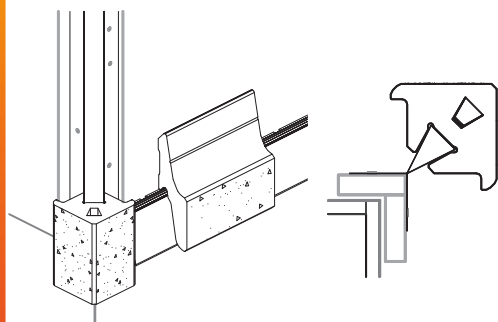
## 4.2- Novabrik Installation 1b- 90° Exterior corner block



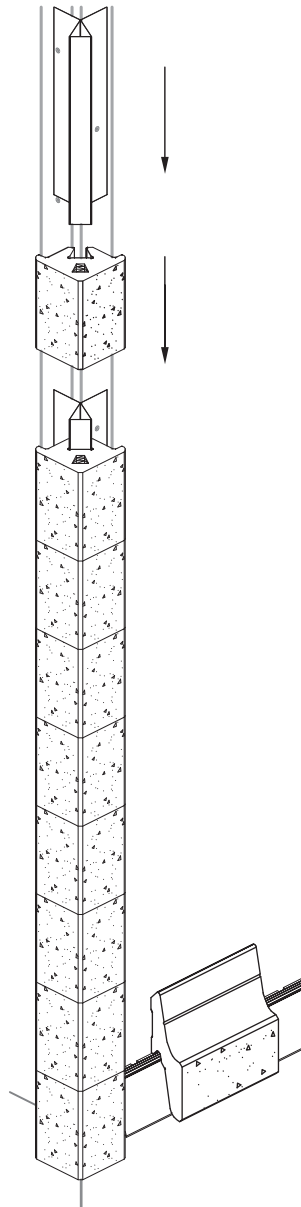
1 - INSTALL 1"X4" (19MM X 89MM) FURRING STRIPS OVER THE CORNER. CORRECT OUT OF PLUMB CORNERS AT THIS POINT.



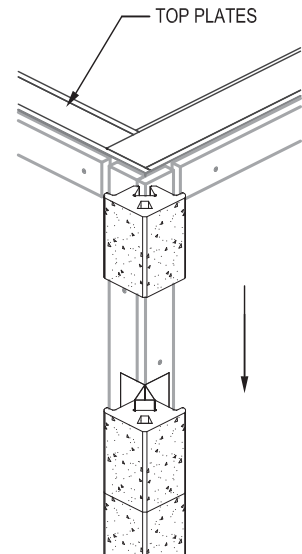
2 - INSTALL FIRSTY CORNER STRIP 2" (50MM) FROM THE BASE FASTENING WITH CORROSION RESISTANCE SCREWS @ 10" (250MM) C/C. FASTEN IN A STAGGERED PATTERN AS SHOWN.



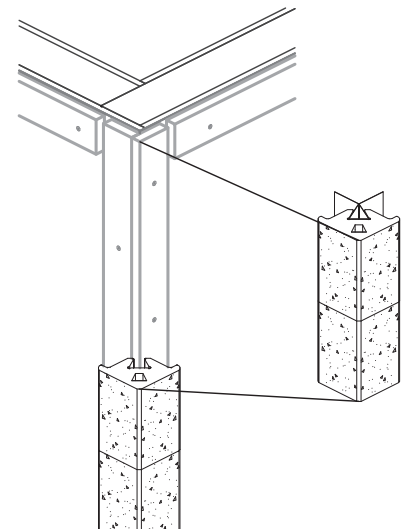
3 - SLIDE DOWN THE FIRST CORNER BLOCK AND ALIGN WITH THE FIRST COURSE OF NOVABRIK. FASTEN INTO CORNER STRIP WITH ONE SELF-TAPPING CORROSION RESISTANCE SCREWS.



4 - APPLY CONSTRUCTION ADHESIVE BETWEEN BLOCKS. INSTALL BLOCKS THE SAME WAY TO THE END OF THE FIRST CORNER STRIP, INSERT ANOTHER CORNER STRIP AND CONTINUE.



5 - INSTALL ONE LAST CORNER BLOCK AND MEASURE THE REMAINING HEIGHT.



6 - CUT CORNER STRIP TO FIT. FASTEN THE NUMBER OF BLOCKS REQUIRED TO THE STRIP. CUT THE LAST BLOCK TO FIT AND SECURE WITH CONSTRUCTION ADHESIVE. FASTEN ASSEMBLY TO WALL.